

4

3

2

1

THIS DRAWING IS UNPUBLISHED.

RELEASED FOR PUBLICATION

20

© COPYRIGHT 20

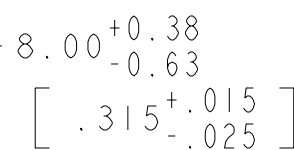
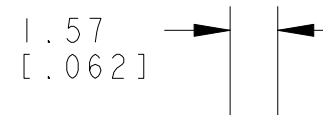
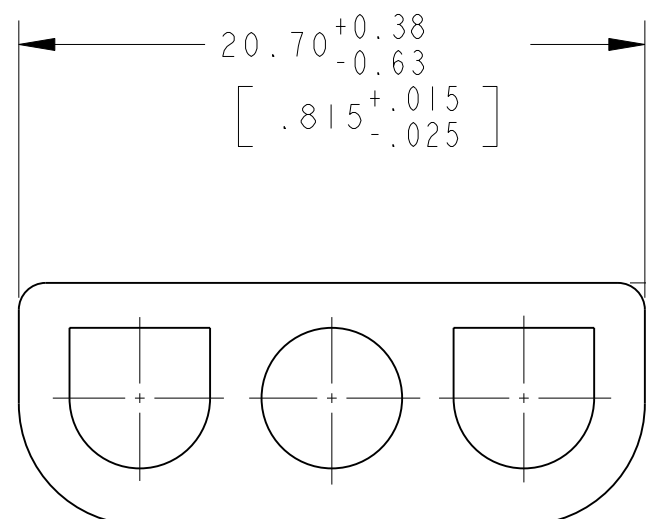
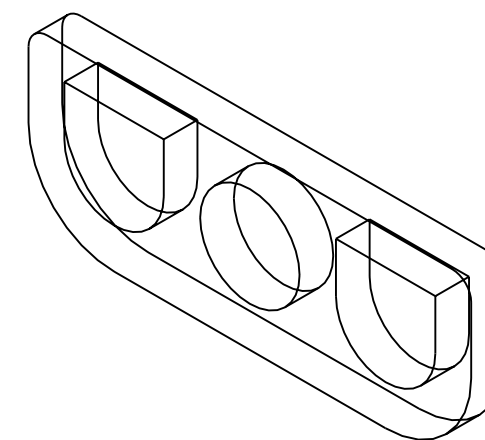
BY TYCO ELECTRONICS CORPORATION. ALL RIGHTS RESERVED.

LOC CM DIST 45

REVISIONS

P	LTR	DESCRIPTION	DATE	DWN	APVD
	E	REVISED PER ECO-05-001965	04MAY05	KW	SR

1 MATERIAL: CLOSED CELL SILICON FOAM, BLACK
 2. SUPPLIED ON MYLAR FILM.



794992-1

PART NUMBER

THIS DRAWING IS A CONTROLLED DOCUMENT FOR TYCO ELECTRONICS CORPORATION IT IS SUBJECT TO CHANGE AND THE CONTROLLING ENGINEERING ORGANIZATION SHOULD BE CONTACTED FOR THE LATEST REVISION.

DIMENSIONS: mm [INCHES]		TOLERANCES UNLESS OTHERWISE SPECIFIED:	
		0 PLC ±-	
		1 PLC ±-	
		2 PLC ±0.51 [.020]	
		3 PLC ±-	
MATERIAL - 1		4 PLC ±-	
		ANGLES ±-	
		FINISH -	

DWN	07-DEC-2001
CHK	K. WHITAKER
APVD	07-DEC-2001
APVD	S. RIDGILL
APVD	07-DEC-2001
APVD	S. RIDGILL
PRODUCT SPEC	-
APPLICATION SPEC	-
WEIGHT	-
CUSTOMER DRAWING	

tyco Electronics		Tyco Electronics Harrisburg, PA 17105-3608	
NAME INTERFACIAL SEAL, 3 CIRCUIT, UNIVERSAL MATE-N-LOK™			
SIZE	CAGE CODE	DRAWING NO	RESTRICTED TO
A3	00779	794992	-
SCALE 4:1		SHEET 1	OF 1
		REV	E

METRIC